



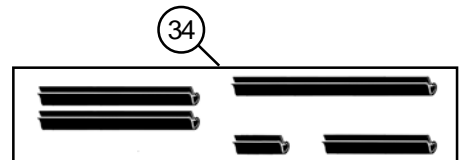
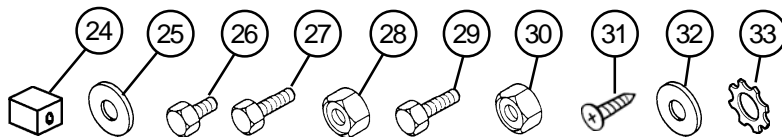
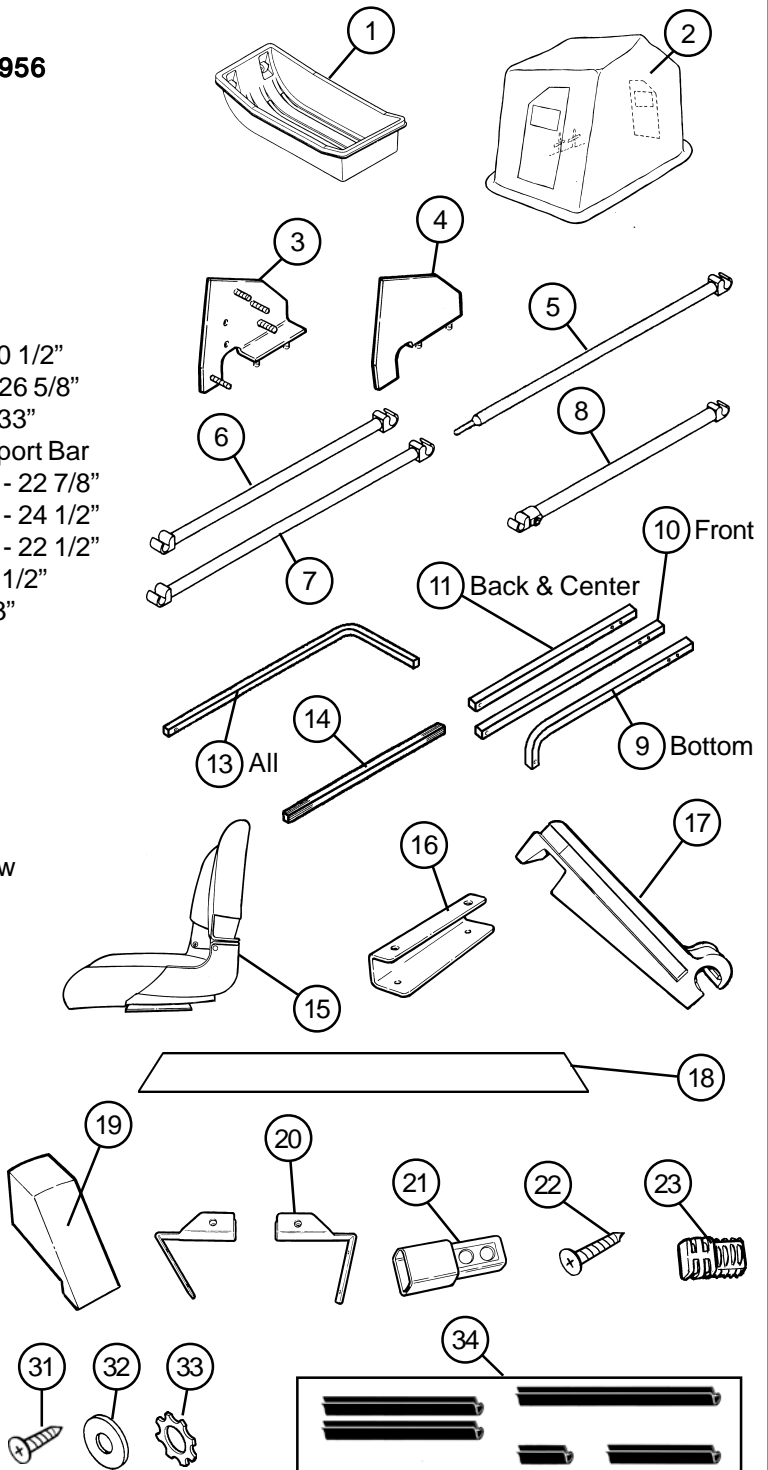
# Otter Pro XT Cottage Installation and Set-Up Instructions

## Otter Pro XT Cottage Fits Small Ultra-Wide Otter Pro and Otter II Sled Only Parts Identification and Check List

**MODEL NUMBERS:**  
Complete Pkg Pro XT Thermal Cottage 200956

**PARTS LIST**

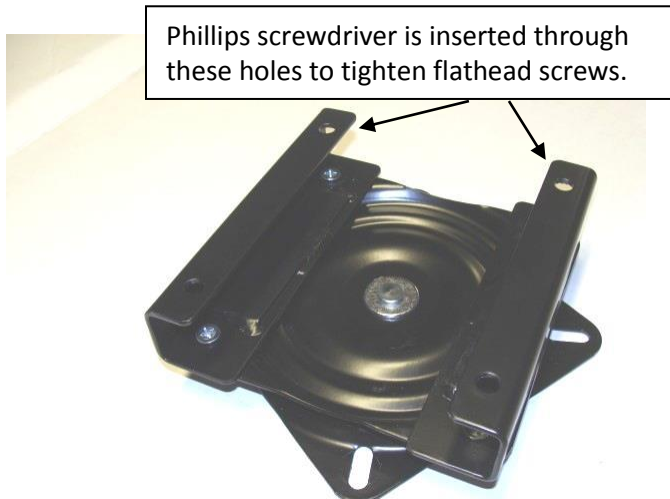
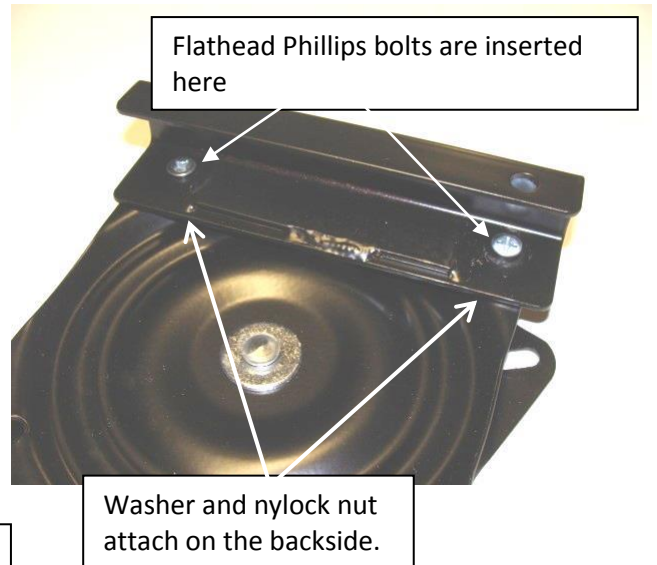
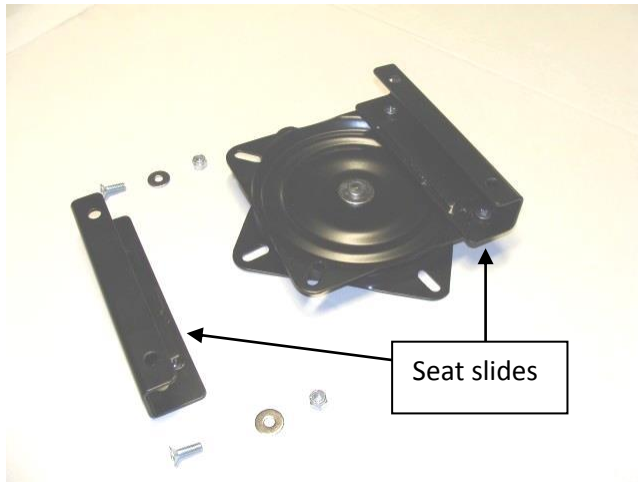
Item #	Qty	Part #	Description
1	1	201065	Sled - Dark Gray
2	1	200965	Tent - XT Pro Cottage
3	1	80172	Frame Bracket "A"
4	1	80171	Frame Bracket "B"
5	1	80537	Back Wind Support Bar - 40 1/2"
6	1	80535	Center Wind Support Bar - 26 5/8"
7	1	80536	Center Wind Support Bar - 33"
8	1	80512	Adjustable Front Wind Support Bar
9	2	80530	Main Frame Extension Bar - 22 7/8"
10	2	80531	Main Frame Extension Bar - 24 1/2"
11	4	80532	Main Frame Extension Bar - 22 1/2"
13	8	80533	Outer Main Frame Bar - 25 1/2"
14	4	80534	Middle Main Frame Bar - 33"
15	1	200861	Seat
16	1	200369	Seat Bracket
17	1	200806	Seat Base
18	1	200378	Seat Rail - 48"
19	2	200196	Seat Rail Cap
20	2	200376	Seat Rail Bracket
21	8	200384	Sleeve
22	16	400641	#8 x 3/4" Self Tapping Screw
23	8	200197	Black Plug
24	8	200195	Black End Cap
25	14	200615	5/16 Washer
26	4	400654	1/4 x 1/2 Hex Bolt
27	4	401017	1/4 x 3/4 Hex Bolt
28	16	400648	1/4 Nylon Hex Lock Nut
29	2	400367	5/16 x 2 Hex Bolt
30	2	200787	5/16 Nylon Hex Lock Nut
31	12	200942	3/8" Self Tapping Screw
32	16	200941	Plastic Protector
33	16	200943	Star Washer
34	1	200974	Plastic Trim Lock Kit



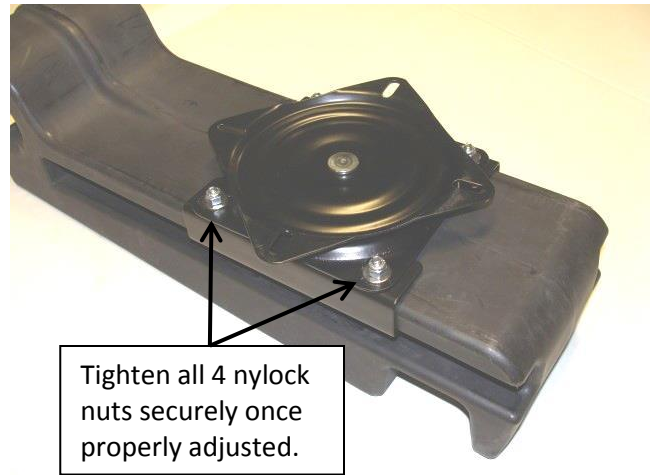
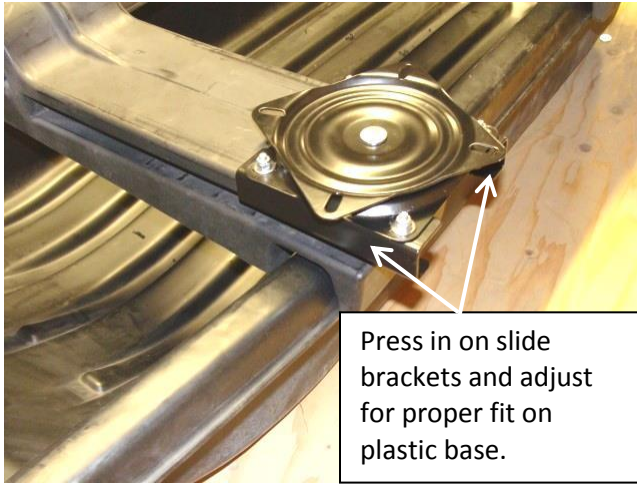
Tools Required:  
Ratchet & 7/16" socket  
7/16" wrench  
Short extension for Ratchet or 7//16" deep socket  
Drill/Driver  
Phillips Bit  
Phillips Screwdriver  
1/2" Wrench  
1/2" socket  
5/16" Drill Bit  
7/16" Drill Bit

## Installing the seating system before assembling the frame and canvas will make installation easier.

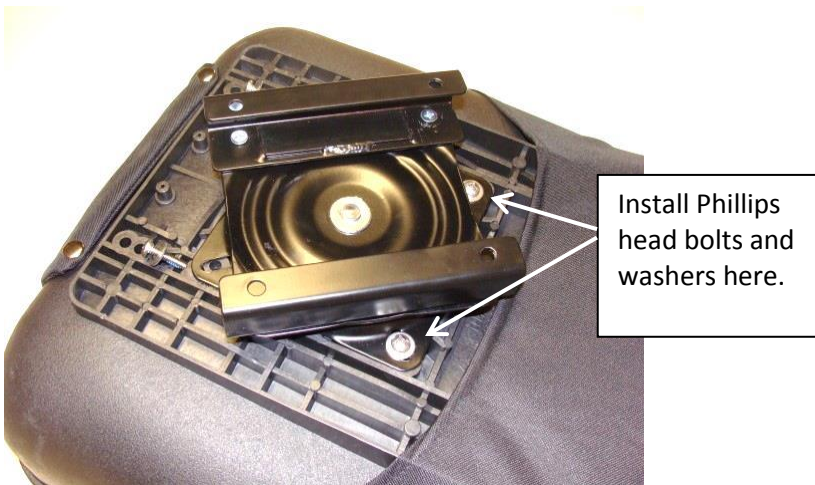
1. Install the seat slide brackets onto the seat swivel using the flathead machine screws and nylock nuts and washers. Leave the bolts loose enough to allow them to be adjusted.



2. Slide brackets and swivel part way onto the plastic base. Adjust the fit to be snug by pressing in on the brackets. However the brackets still need to be able to slide smoothly back and forth on the plastic base. Tighten the bolts securely once the fit is correct.

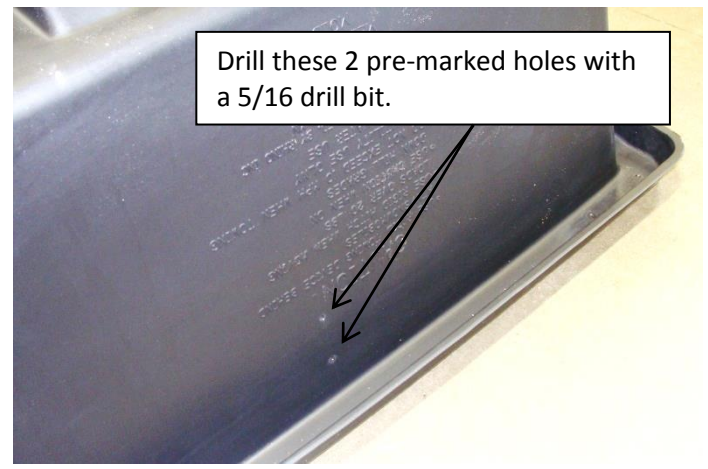


3. Line up the swivel with the inserts in the bottom of the seat. Loosely install the  $\frac{1}{4} \times \frac{3}{4}$ " Phillips head bolt with washers (included in the seat box) into the inserts in the bottom of the seat. Tighten all 4 bolts securely once the swivel is properly positioned.





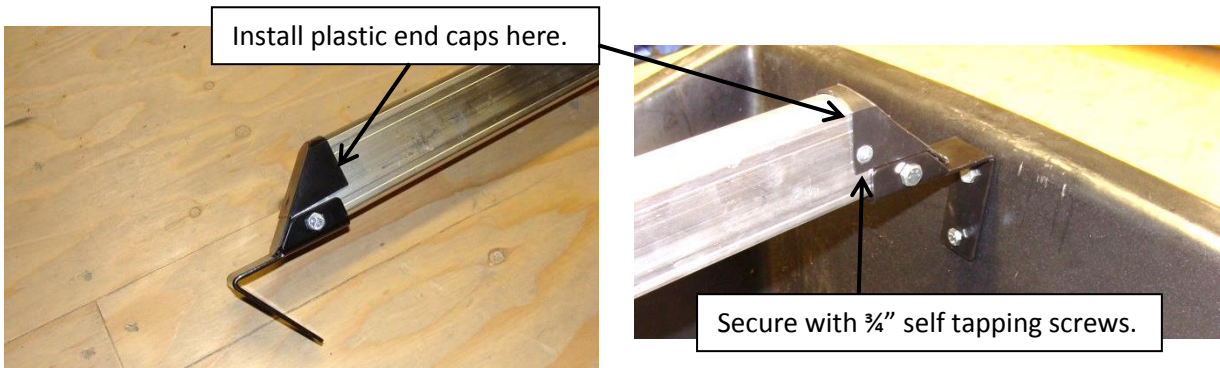
4. Drill out the four pre-marked holes for the seat rail brackets as shown using a 5/16" drill bit. The sled may be tipped upside down to make drilling the holes easier.



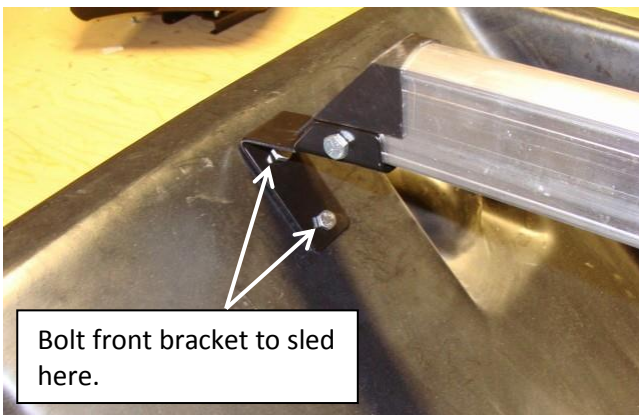
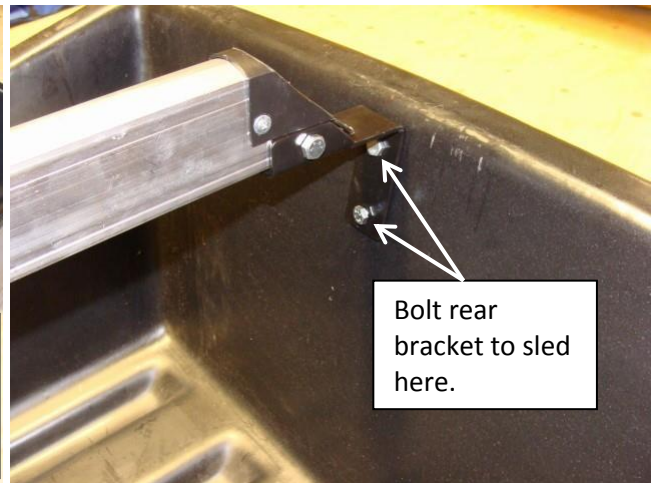
5. Attach the metal brackets to the seat rail using the 5/16" bolts and nuts. The bracket with the greater angle goes toward the front of the sled. Attach plastic end caps onto the seat rail using the self tapping screws. A small pilot hole may be drilled to ease installation.







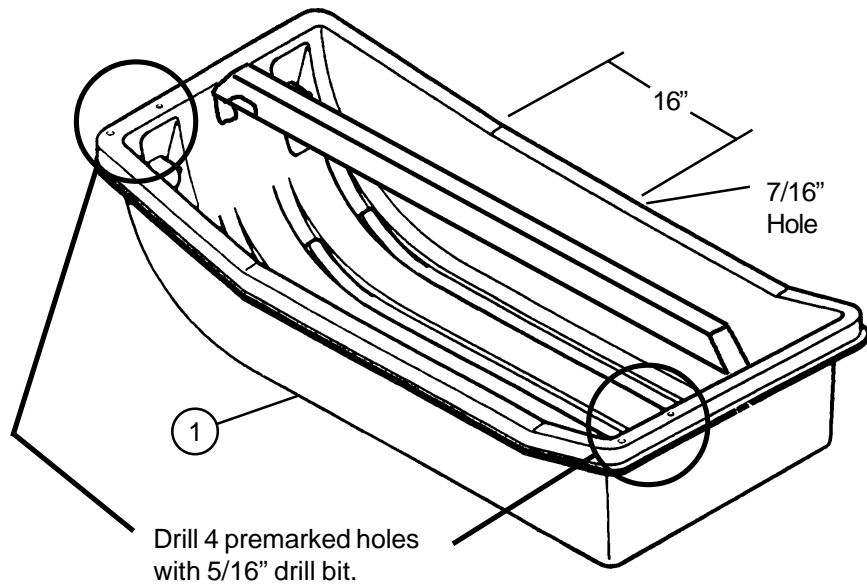
6. After the brackets and end caps are installed the seat rail may be bolted into place with the ¼" bolts, washers and nylock nuts using the previously drilled holes. Install plastic base and seat onto the rail. Use WD-40 or silicone to lubricate plastic seat base opening so it will go onto the aluminum rail easier.



**Seat assembly not shown for clarity.**

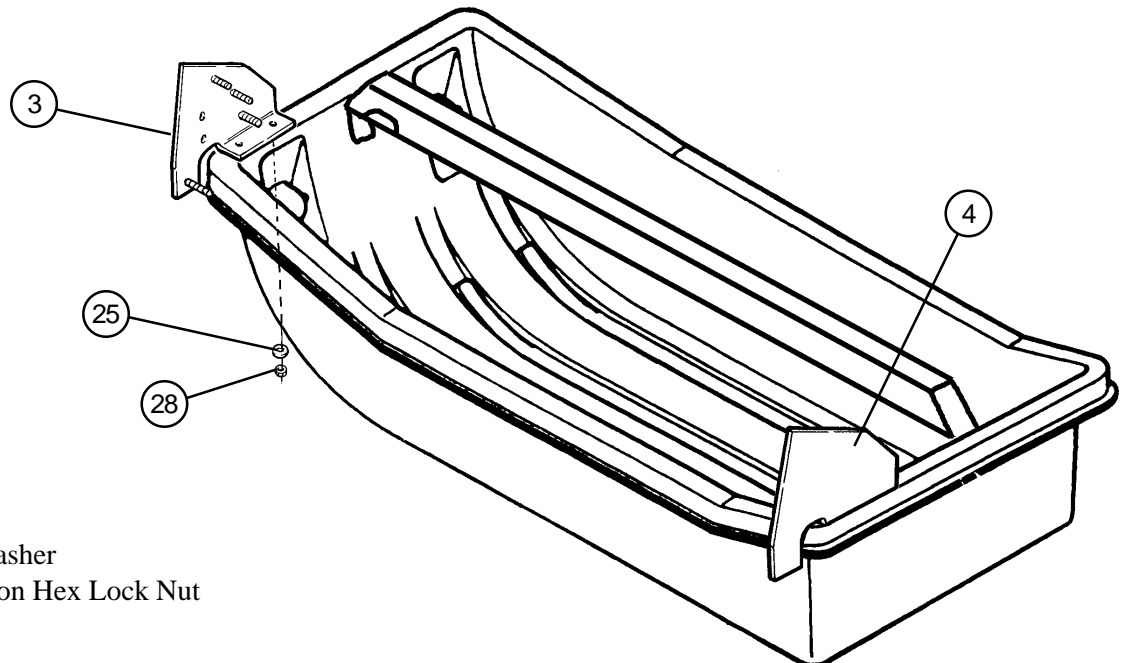
7. Position sled (Item 1) as shown in Diagram 7 with curved front to your left.
8. Drill the 4 marked holes using a 5/16" bit.
9. Drill the 7/16" hole in center of lip approximately 16" from bend in sled. The back wind support bar (Item 5 not shown) is to be propped here. Ref Diagram 7.

**Diagram 7**



10. Bolt frame brackets (Item 3 and Item 4) to sled using holes predrilled in Step 8. Use appropriate fasteners shown in Diagram 8.

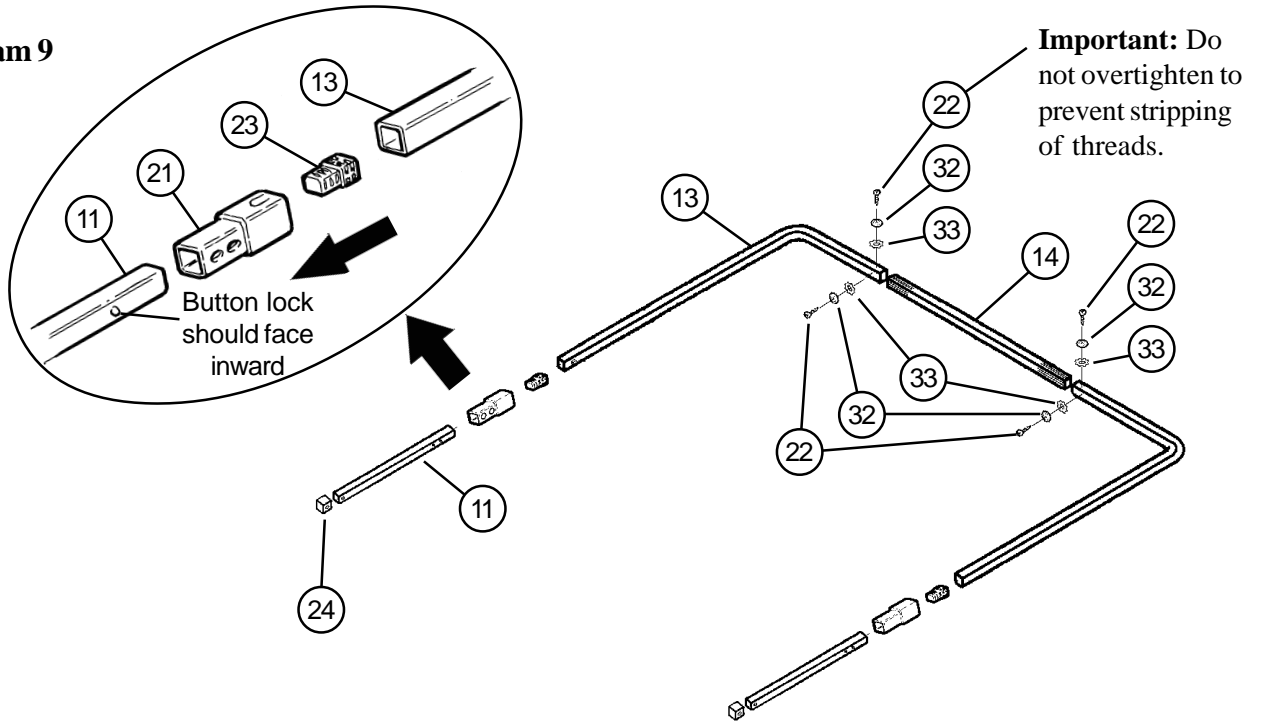
**Diagram 8**



Item 25 - 5/16 Washer  
Item 28 - 1/4 Nylon Hex Lock Nut

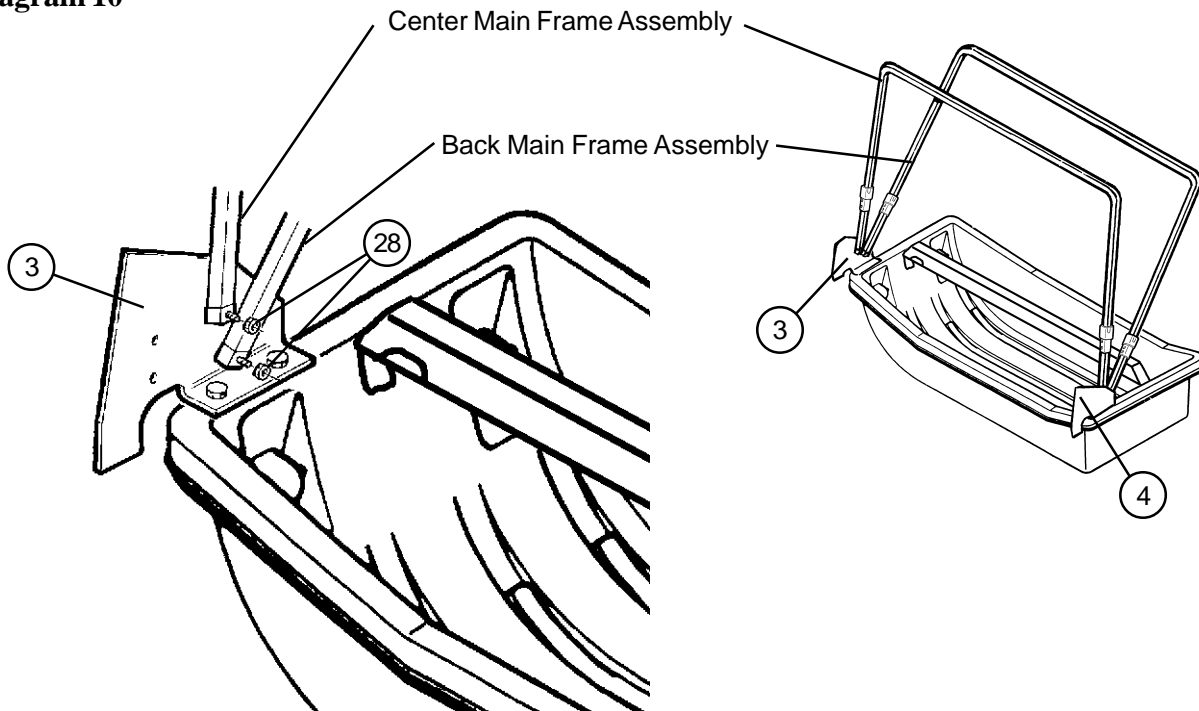
11. Assemble **Back and Center Main Frame Bars**: Insert the outer main frame bar (Item 13) into the middle main frame bar (Item 14). Fasten with self-tapping screw (Item 22), plastic protector (Item 32) and star washer (Item 33). Slide the sleeve (Item 21) over the main frame extension bar (Item 11). (**Line up holes with button lock, press lock in as you slide over the bar**). Insert the black plug (Item 23) into the main frame extension bar (Item 11). Insert outer main frame bar (Item 13) into sleeve (Item 21). Cover end of main frame extension bar (Item 11) with black end cap (Item 24). Ref. Diagram 9.

**Diagram 9**



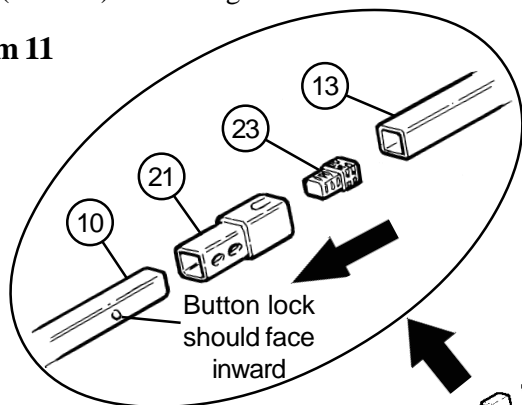
12. Attach **Back and Center** main frame assemblies (Assembled in Step 11) onto frame brackets (Item 3 and 4). Secure with 1/4 nylon hex lock nut (Item 28). Ref. Diagram 10.

**Diagram 10**

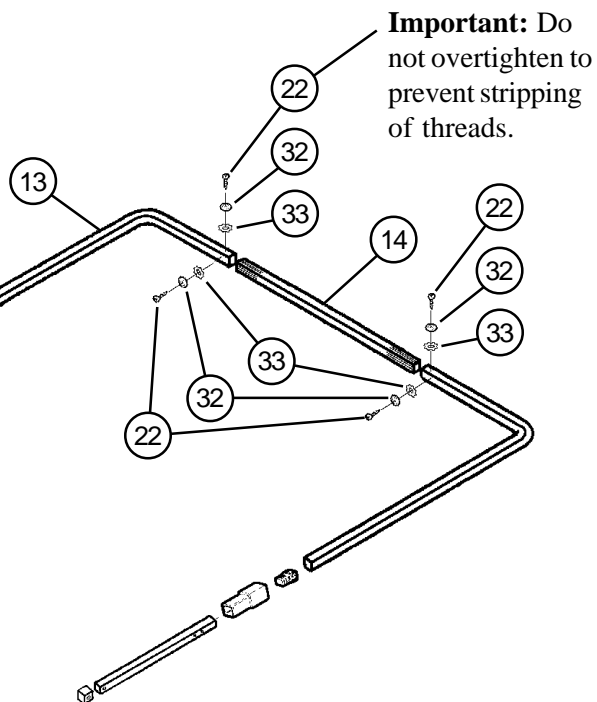


13. Assemble **Front Main Frame Bar**: Insert the outer main frame bar (Item 13) into the middle main frame bar (Item 14). Fasten with self-tapping screw (Item 22), plastic protector (Item 32) and star washer (Item 33). Slide the sleeve (Item 21) over the main frame extension bar (Item 10). (**Line up holes with button lock, press lock in as you slide over the bar**). Insert the black plug (Item 23) into the main frame extension bar (Item 10). Insert outer main frame bar (Item 13) into sleeve (Item 21). Cover end of main frame extension bar (Item 10) with black end cap (Item 24). Ref. Diagram 11.

**Diagram 11**

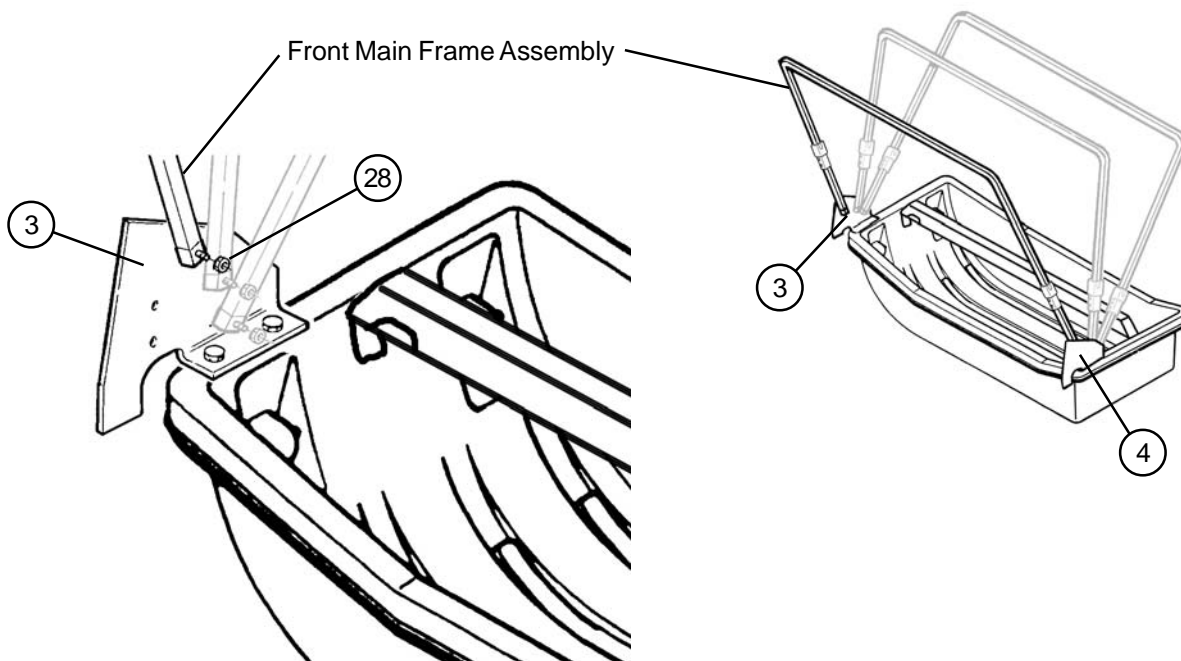


**Note:** Use a light oil such as WD-40 to lubricate the poles to help them slide easier. Wipe off any excess. Silicone may be substituted but is not as effective.



14. Attach **Front** main frame assembly (Assembled in Step 13) onto frame brackets (Item 3 and 4). Secure with 1/4 nylon hex lock nut (Item 28). Ref. Diagram 12.

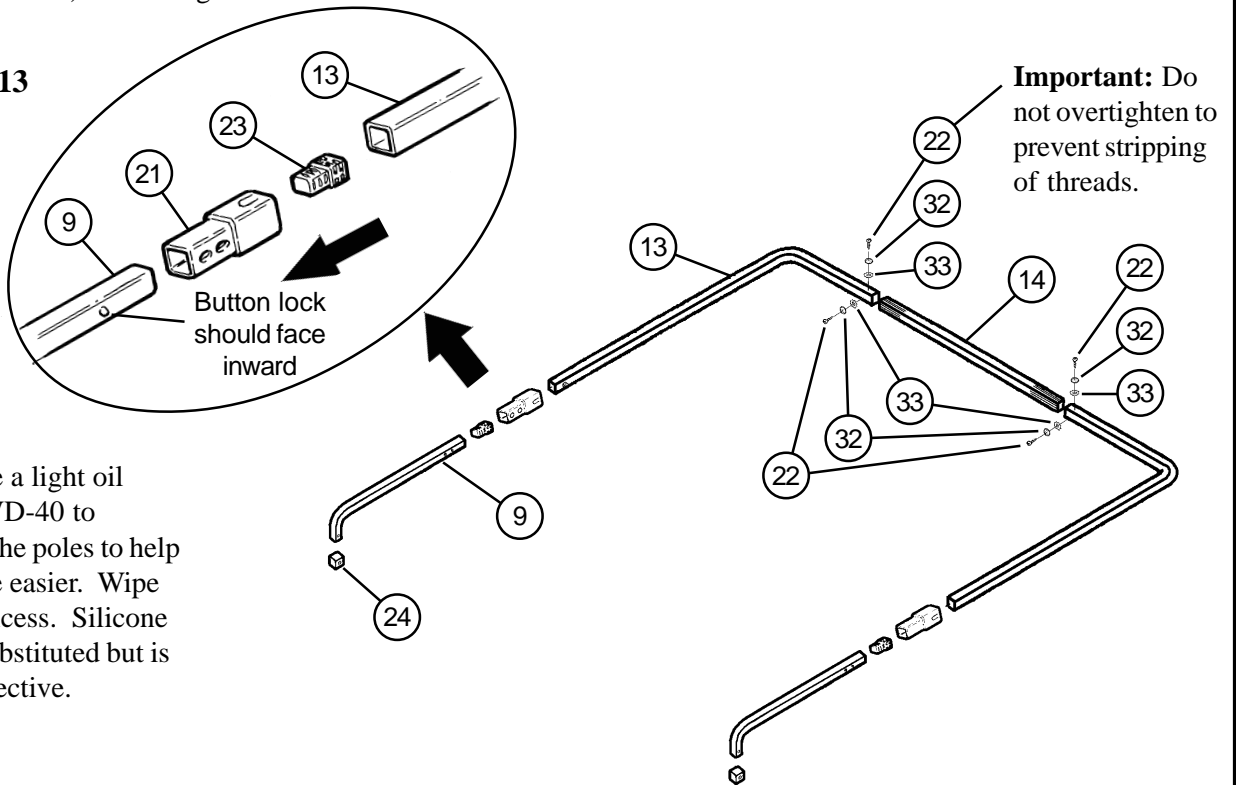
**Diagram 12**





15. Assemble **Bottom Main Frame Bar**: Insert the outer main frame bar (Item 13) into the middle main frame bar (Item 14). Fasten with self-tapping screw (Item 22), plastic protector (Item 32) and star washer (Item 33). Slide the sleeve (Item 21) over the main frame extension bar (Item 9). (**Line up holes with button lock, press lock in as you slide over the bar**). Insert the black plug (Item 23) into the main frame extension bar (Item 9). Insert outer main frame bar (Item 13) into sleeve (Item 21). Cover end of main frame extension bar (Item 9) with black end cap (Item 24). Ref. Diagram 13.

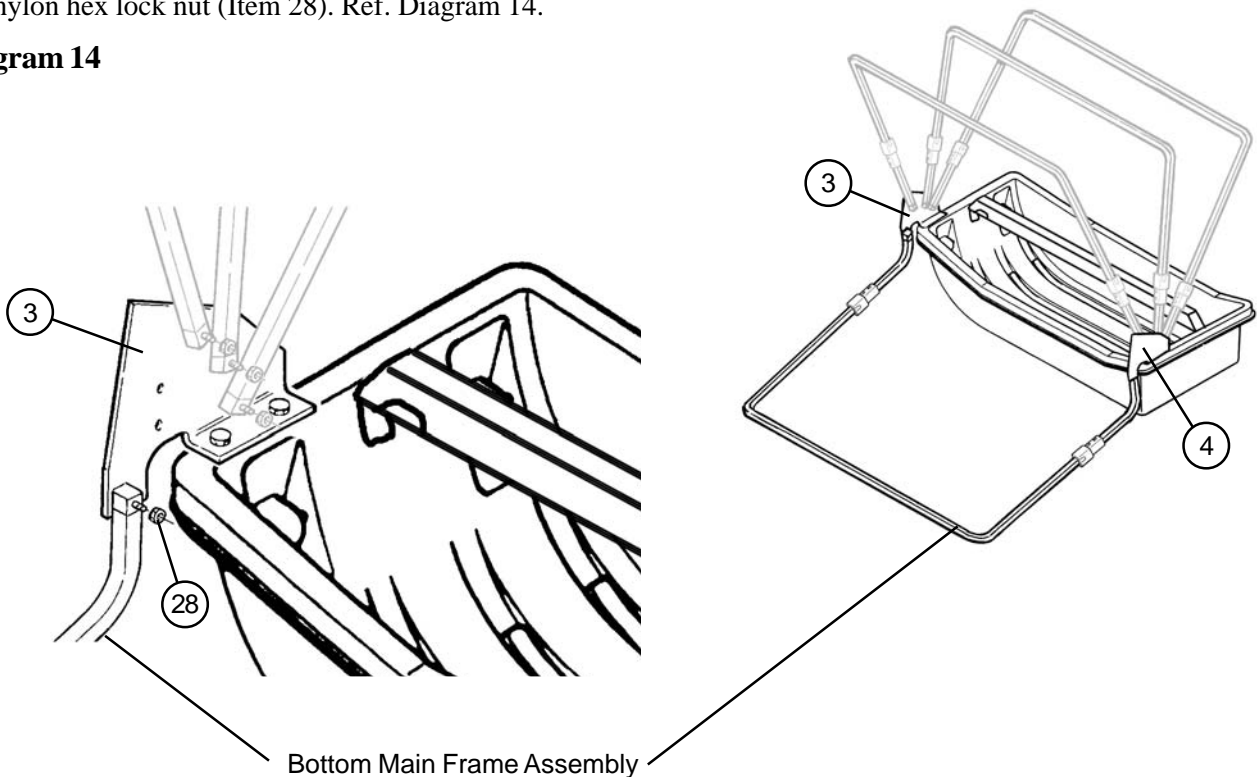
**Diagram 13**



**Note:** Use a light oil such as WD-40 to lubricate the poles to help them slide easier. Wipe off any excess. Silicone may be substituted but is not as effective.

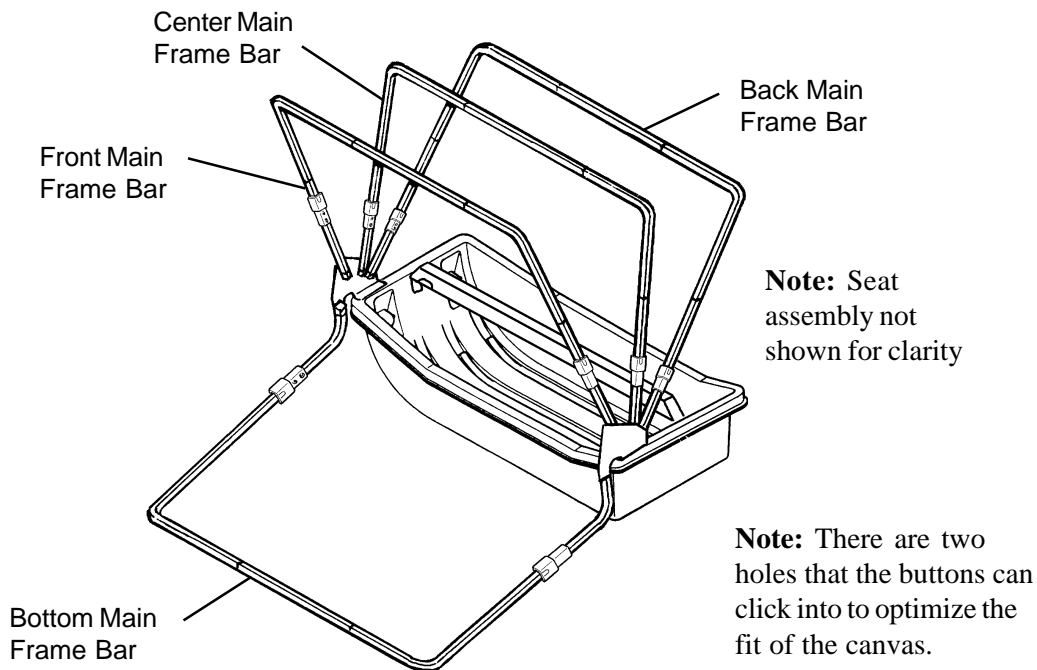
16. Attach **Bottom** main frame assembly (Assembled in Step 15) onto frame brackets (Item 3 and 4). Secure with 1/4 nylon hex lock nut (Item 28). Ref. Diagram 14.

**Diagram 14**



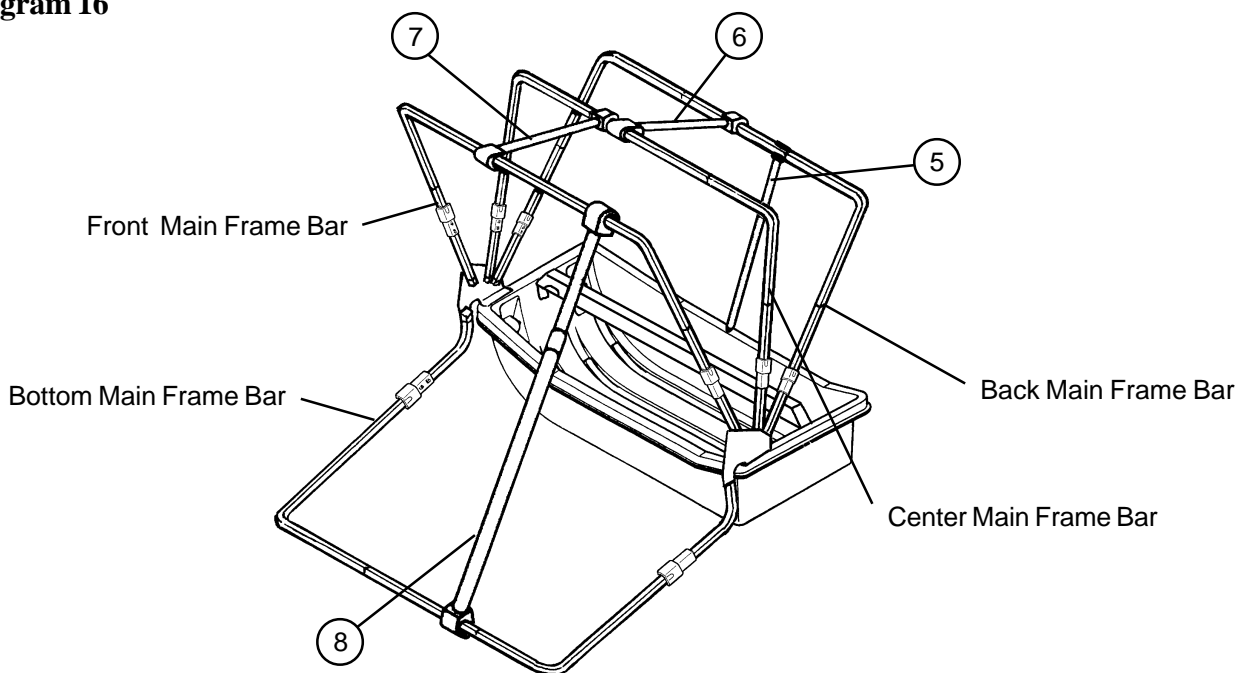
17. Set up main frame bars by grasping with both hands and pushing upward until button clicks into place. Start with bottom main frame bar and continue to the back main frame bar pushing lengthened bars into appropriate position. Ref. Diagram 15.

**Diagram 15**



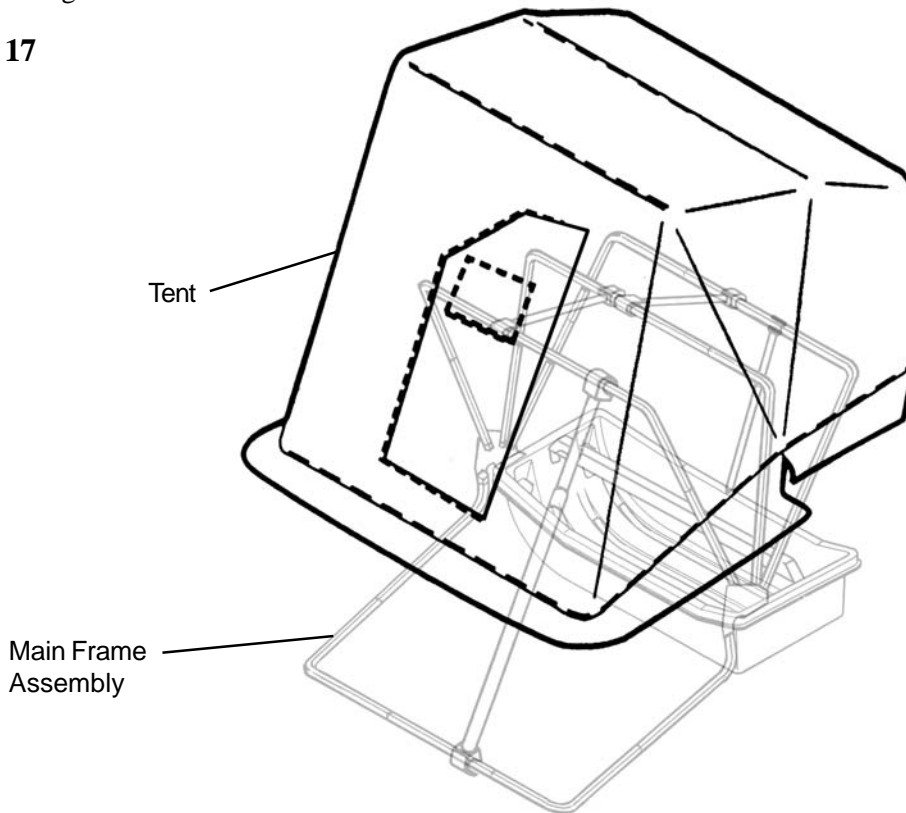
18. Install wind support bars starting in back (Item 5), up through center (Item 6), then between the front and center main frame bars (Item 7) and finally with adjustable wind support bar (Item 8) in front. Ref Diagram 16.

**Diagram 16**



19. Slide the tent over the main frame bar assembly, then fasten the velcro straps on the inside of the tent to each main frame bar. Note: Collapsing the center and front main frame poles part way down will make installation easier. Ref. Diagram 17.

**Diagram 17**

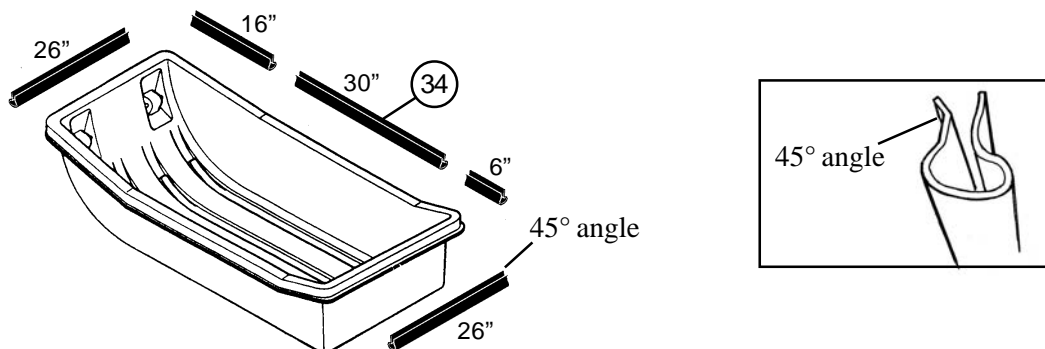


20. Once the canvas is on the frame and the Velcro attached, extend all of the frame poles upward and make sure all of the wind poles are installed. Extend the front adjustable wind pole so that the fabric in front is snug and not sagging. It will be necessary to loosen the back adjustable wind pole to achieve this. Once the front is set and the top wind poles are in place, the back adjustable wind pole can be extended until it is snug. Install the plastic trim lock in the positions shown in Diagram 18.

Install the back center trim lock first and work your way around the sled, pulling the fabric snug as you go. The canvas will be trapped between the sled lip and the trim lock, and will also wrap underneath the sled lip providing a very good seal. Check the fit of the canvas and adjust as necessary before installing the screws to hold the trim lock in place.

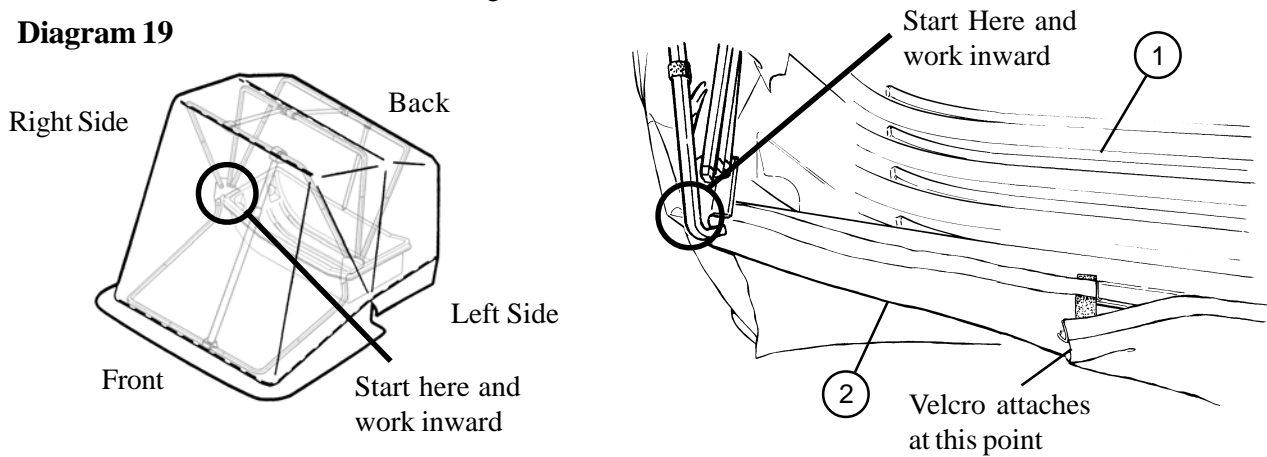
Attach the five plastic trim locks (Item 34) to the sled in the locations shown with the 45° angled edge to the inside of the sled. Ref. Diagram 18.

**Diagram 18**

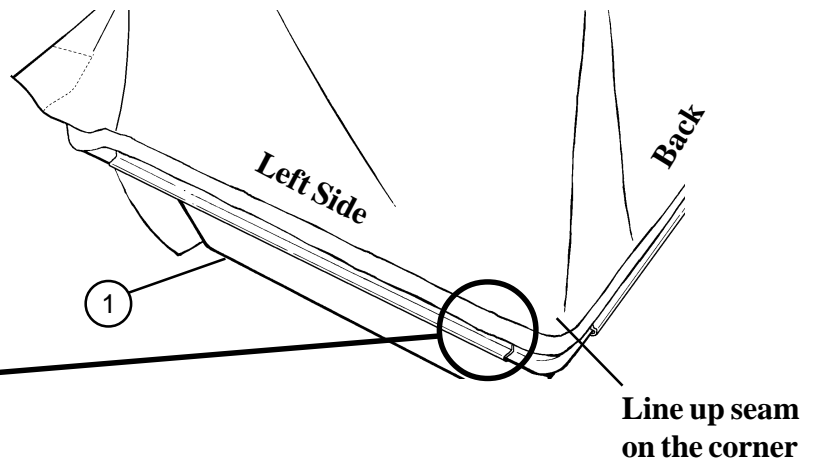
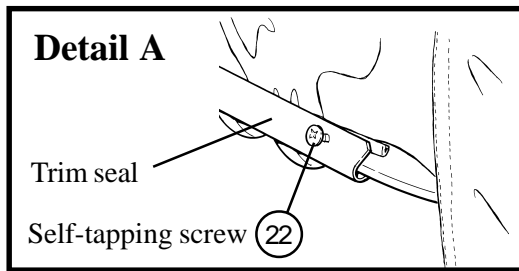


21. On the front of the fishhouse, start in the corners and work inward, snap the plastic trim seal on the canvas tent (Item 2) to the **lip** edge of the sled (Item 1). The tent (Item 2) will meet in the middle and should be free to open and close so it can be removed. Ref. Diagram 19.

**Diagram 19**

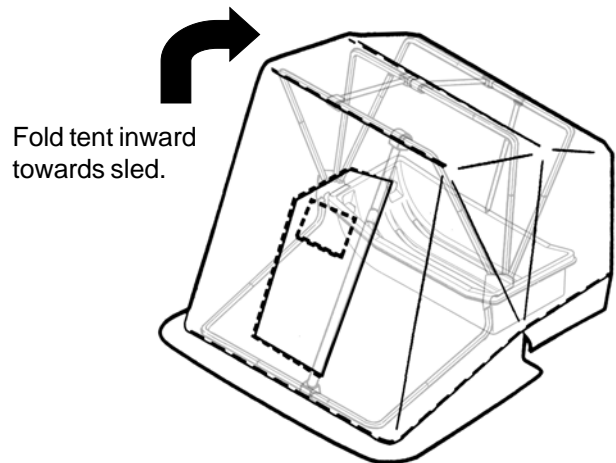


**NOTE: Check for proper fit of canvas before installing screws in trim lock.**



**To Collapse Tent and Transport:**

1. Remove support bars and store inside the sled.
2. Retract main frame bars by pressing in button while sliding the bar farther into the tube.
3. Fold the tent in towards the sled so all the bars are laying on top of the sled.
4. Tuck in excess tent material.
5. Ready for transport.
6. Reverse to set up the fishhouse again.



**General Note: Be careful with tent windows in cold weather, as creasing or crushing them will cause breakage.**



**Caution: Use adequate ventilation. Portable heaters use up oxygen and emit carbon monoxide. Use reflectors and identifying lights after dark or during limited visibility.**





## **Fish House Fabric Use and Care Guide**

Care must be taken during use to avoid damaging the fabric. Follow these guidelines to help protect the fabric. The warranty will not cover damage to the fabric because of wear, improper packing or abuse.

1. Do not pack any gear on top of the fabric. Propane tanks and augers can be especially damaging because of the sharp edges and the extra weight associated with them.
2. When folding up the framework do not allow the fabric to be pinched between the hinge brackets and the frame poles.
3. Do not allow the fabric to be trapped between gear that is in the sled and the sled bottom. Gear that is sitting on top of the fabric will damage it due to vibration and impact.
4. Do not allow the fabric to come in contact with the heater or operate the heater too close to the fabric. The fabric can melt or the coating may be compromised from the heat.
5. When towing the fish house behind an ATV or snowmobile extra care must be taken because of the extreme amount of vibration and jarring that can occur. Padding or foam may need to be placed between the poles to protect the fabric. Any hard or sharp edge can damage the fabric if it is not padded or protected in some manner.
6. Do not pull on fabric that is frozen into the ice. This may damage the fabric or cause a seam to fail. Use a chisel to chop around the fabric to free it.
7. The fabric may be cleaned with warm water and a mild detergent if needed.
8. Always dry out the fabric after use and before storing.

By taking a few precautions to protect and maintain the fabric it will provide years of service.